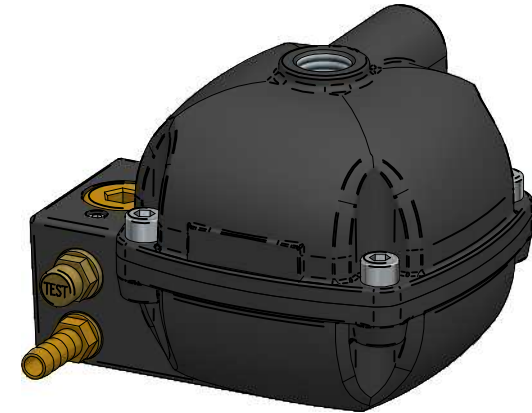
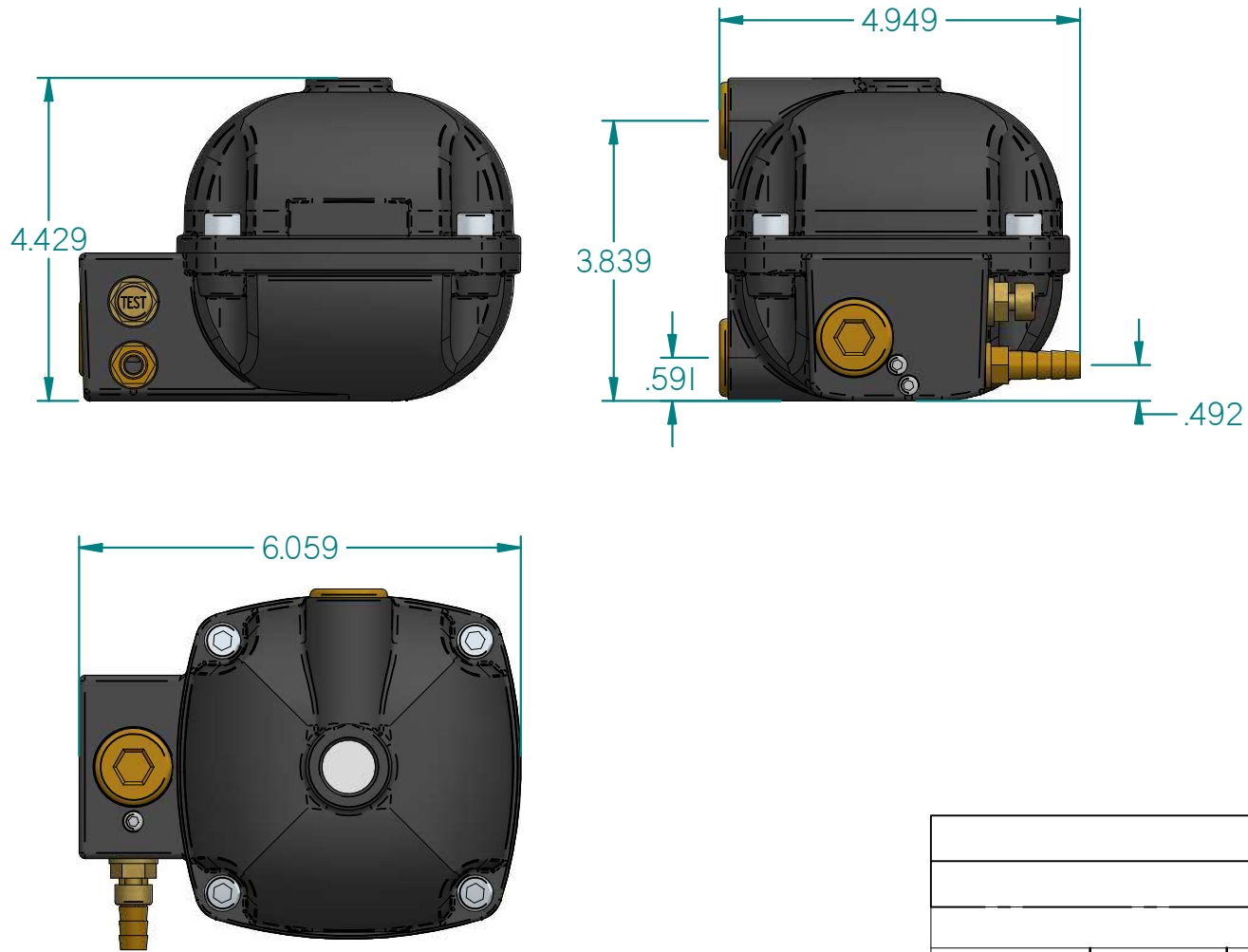


The original of this drawing is copyright and contains confidential information. It is property of JORC Industrial without whose permission it may NOT be copied, shown or handed to a third party or otherwise used and it is to be returned promptly upon request to JORC Industrial.



	NAME	DATE		
DRAWN	FK	30-11-2016	POD-TD	
CHECKED			ARTIKEL NUMBER:	
JORC Industrial LLC 1146 River Road New Castle, DE 19720 USA			SIZE A4	Material:
National Tel: 302 395 0310 Fax: 302 395 0312 International Tel: +1 302 395 0310 Fax: +1 302 395 0312			REV A	
			ALL dimensions are in inches unless otherwise stated	
			SHEET: 1/1	