

SAFETY AND PROPER USAGE

To ensure safe and enduring performance of this product, you must comply strictly with the instructions enclosed herein. Non-compliance with instructions or improper handling of the product will void your warranty! Usage of this product in conditions not specified in this manual or in contrary to the instructions hereby provided is considered IMPROPER. The manufacturer will not be held liable for any damages resulting from improper use of the product.

SAFETY & WARNING INSTRUCTIONS

- Observe valid and generally accepted safety rules when planning, installing and using this product.
- Take proper measures to prevent unintentional operation of the product or damage to it.
- Do not attempt to disassemble this product or lines in the system while they are under pressure.
- Always depressurize the compressed air system before working on the system.

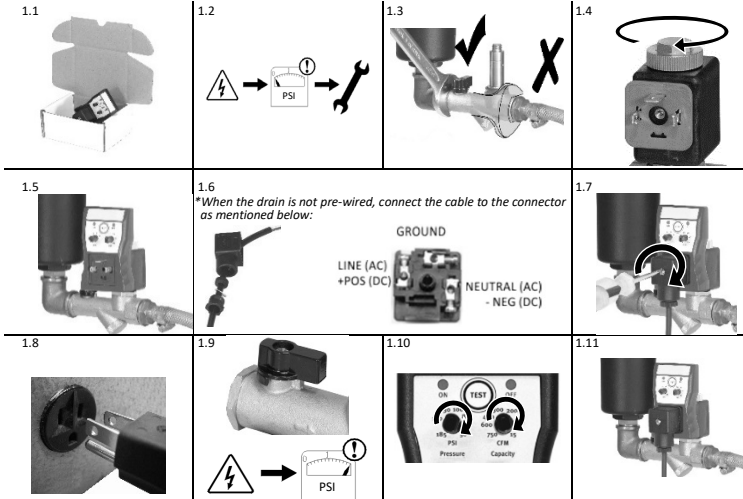
It is important that personnel use safe working practices and observe all regulations and legal requirements for safety when operating this product. When handling, operating or carrying out maintenance on this product, personnel must employ safe engineering practices and observe all local health & safety requirements & regulations. International users refer to regulations that prevail within the country of installation. Most accidents, which occur during the operation and maintenance of machinery, are the result of failure to observe basic safety rules or precautions. An accident can often be avoided by recognizing a situation that is potentially dangerous. Improper operation or maintenance of this product could be dangerous and result in an accident causing injury or death. The manufacturer cannot anticipate every possible circumstance, which may represent a potential hazard. The WARNINGS in this manual cover the most common potential hazards and are therefore not all-inclusive. If the user employs an operating procedure, an item of equipment or a method of working which is not specifically recommended by the manufacturer he must ensure that the product will not be damaged or made unsafe and that there is no risk to persons or property.

NEVER CHANGE ORIGINAL COMPONENTS WITH ALTERNATIVES

⚠ WARNING This product can expose you to chemicals including lead, which is known to the State of California to cause cancer and/or birth defects or other reproductive harm. For more information, go to www.P65Warnings.ca.gov



COMBO-QUICKSET Series Drain



INSTALLATION INSTRUCTIONS

Before installing this product, make sure it complies with your request and that it suits your application!

1.1 Unpack the unit and visually inspect for any transport damage incurred after leaving our factory.

1.2 Depressurise the system before installation or maintenance is carried out!

1.3 Locate a suitable condensate draining point on your compressed air system and connect your valve.

Connect the outlet to an oil/water separator.

- Make sure the arrow on the valve body complies with the flow direction of the condensate.

- Do not use the valve shaft as lever!

- Removing the coil/timer/connector assembly from the valve, enables an easier installation of the valve.

1.4 Slide the coil on to the valve shaft and screw on the top nut. Make sure the gaskets are placed properly to ensure IP65 (NEMA4) rating. Place the gasket over the coil connection pins.

Make sure there is no debris between the gasket and the coil. If the drain is pre-wired, go to step 1.8.

1.5 Mount the timer on to the coil as illustrated, you can mount the timer up-right or upside-down.

1.6 When the drain is not pre-wired: Remove the protection cap from the connector and connect your power cable to the connector as illustrated. Close the connector and tighten the nut firmly.

1.7 Place the gasket on the timer, place the connector on the timer as illustrated and tighten

the screw (max. torque 1Nm). Make sure both gaskets are secured properly to ensure IP65 (NEMA4) rating.

1.8 After double checking that the power supply corresponds with the voltage specified on the coil and falls within the range specified on the back of the timer, you can switch the power supply ON.

1.9 Slowly open the ball valve to restore normal system pressure.

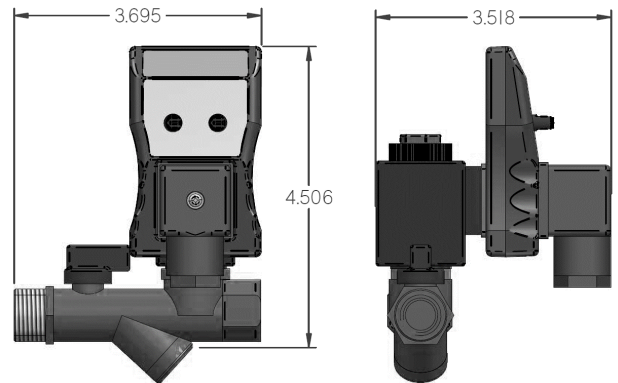
1.10 Press the TEST button to check the valve function. Adjust the PRESSURE and CAPACITY buttons to suit your system.

1.11 Your drain is ready for operation!

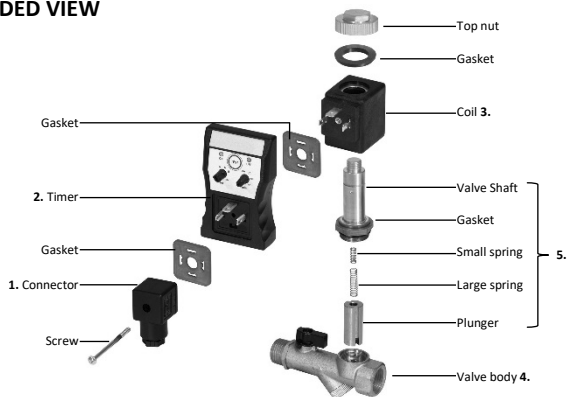
TECHNICAL SPECIFICATIONS

Maximum compressor capacity	Any size	
Pressure range	0 – 10 bar	0 – 145 psi
Supply voltage options	24 – 240 VAC/DC 50/60Hz (see specifications on timer and coil)	
Medium temperature	1 – 55 °C	34 – 131 °F
Ambient temperature	1 – 55 °C	34 – 131 °F
Timer cycle range (ON / OFF)	Simply select the compressor capacity and pressure!	
Timer PCB	SMD technology	
Timer cycle indication	LED	
Test feature	Yes	
Valve type	2/2 way, direct acting	
Valve orifice	4 mm	0,157"
Valve seals	FPM	
Inlet/Outlet connections	1/4" (F) & 1/2" (M) NPT / 1/2" NPT	
Inlet connection height	1 cm	0,4"
Serviceable valve	Yes	
Valve housing material	Brass, Stainless steel	
Power connection	DIN 43650-A	
Environmental protection	IP65 (NEMA4)	

DIMENSIONS (inches, depending on power cord used and/or coil type)



EXPLODED VIEW



REPLACEMENT PARTS

Description	Part No.
1. Electric cord (7 ft. Length Molded Din)	9905 UB
1. DIN Connector	9070
1. Conduit Connector	9080
2. Timer (only)	8601 PO (24-240V)
3. Coil (only)	42460 (24V AC)
	295210 (48V AC)
	42320 (115V AC)
	42300 (230V AC)
	42480 (24V DC)
4. Valve assembly (without coil)	321496
5. Service kit (valve internal parts)	298214