

TIMERS

Analogue and digital electronic timer units

PRODUCT FEATURES

JORC produces the largest range of high quality analogue- and digital timers for solenoid valve applications. Typical applications include compressed air, fluid processing and dust control.

Our fully automated production methods ensure consistency in manufacturing and a high product quality level. Through various housing designs, various colour and private labelling options we offer tailor made solutions to suit your personal desire.

Adjustable cycle potentiometers offering ON and OFF cycle options, bright yellow LED's indicate in which cycle the timer is operating.



COMMERCIAL BENEFITS

- Long life durability.
- Easy to program.
- Compact.
- Wide variety of housing designs.
- Various housing colours.
- Private labelling opportunities.
- Stylish timer designs.

TECHNICAL ADVANTAGES

- Surface Mounted Technology, ensuring manufacturing consistency.
- Cycle options ranging from 0.1 seconds up to 99 hours.
- Analogue and digital time cycle adjustment options.
- ABS fire resistant housing material.
- Micro-switch TEST-button on all timer units.
- Digital timers offer an illuminated count-down display feature.

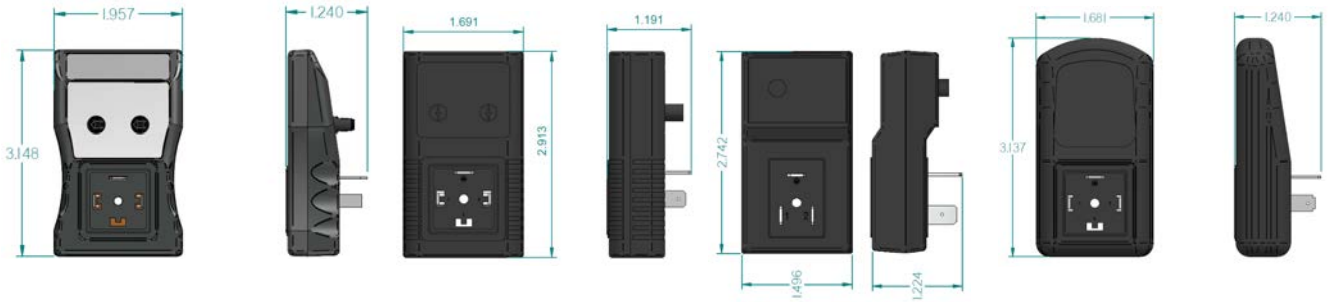
OPPORTUNITY

Select the timer colour you desire and inform us what logo you want to have displayed on the timer body and we will produce your personal timer units.

TIMERS

Analogue and digital timer units

DIMENSIONS



OPTIMUM Timer

EAD Timer

TEC-11 Timer

D-LUX Timer

PRODUCT SPECIFICATIONS

	OPTIMUM	EAD	TEC-11	D-LUX
Valve connection options	DIN form A	DIN form A	DIN form B	DIN form A
Housing material	ABS	ABS	ABS	ABS
Manual TEST feature	Yes	Yes	Yes	Yes
Supply voltage options (50/60 Hz)	12 – 380Vac/dc*	24-240Vac/dc	24-240Vac/dc	10-240Vac/dc**
Min. / Max. operating temperature	-40°F / 140°F	-40°F / 140°F	-40°F / 140°F	-40°F / 140°F
Min. / Max. medium temperature	35°F / 120°F	35°F / 120°F	35°F / 120°F	35°C / 120°F
Installation enclosure (When installed)	IP65 (NEMA 4)	IP65 (NEMA 4)	IP65 (NEMA 4)	IP65 (NEMA 4)
Cycle display mode	Yes	Yes	Yes	Yes (count-down)
Time Cycle range (ON)	0.5 - 10 Sec.	0.5 - 10 Sec.	2 Sec. (fixed)	10 milliseconds - 99 Hrs
Time Cycle range (OFF)	0.5 - 45 Min.	0.5 - 45 Min.	1.0 - 30 Min.	10 milliseconds - 99 Hrs

* The OPTIMUM 12Vdc and the 380Vac versions are special timer units. The standard timer unit comes as a 24 - 240VAC multi-voltage timer.

** The D-LUX timers come in 10 – 48Vac/dc, 48 – 115Vac and 110 – 240 Vac/dc. Please inform us which one you require.

Special timer settings are available upon request. Please consult the factory.



Private labelling, TEST feature



FRL-adapters, A-B adapters and cables available



Digital display D-LUX timer

Information provided herewith is believed to be accurate and reliable. However, no responsibility is assumed for its use or for any infringement of patents or rights of others, which may result from its use. In addition, JORC reserves the right to revise information without notice and without incurring any obligation

JORC Industrial LLC

1146 River Road

New Castle, DE 19720

USA

Tel +1 302-395-0310

Fax +1 302-395-0312

e-mail info@jorc.com

Web www.jorc.com