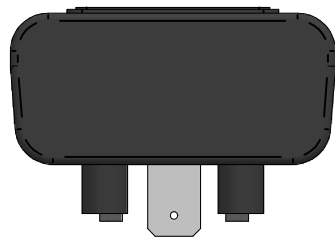
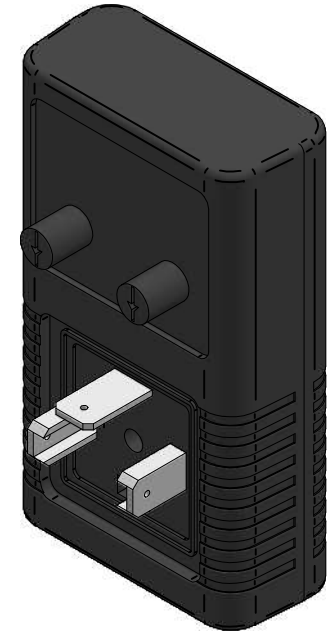
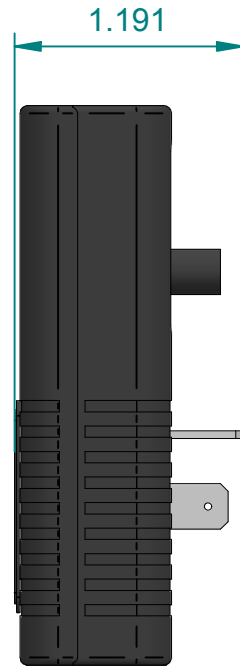
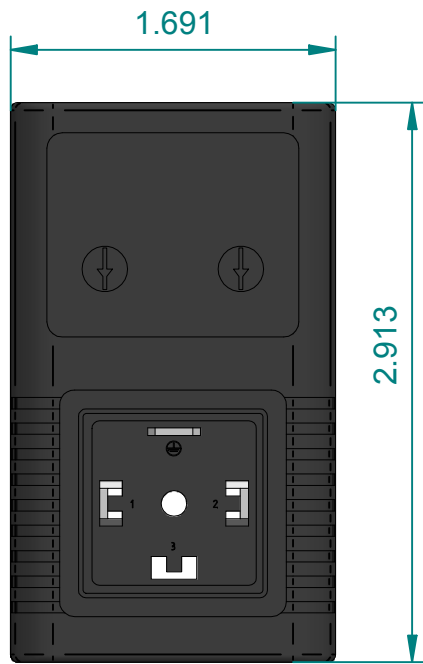



The original of this drawing is copyright and contains confidential information. It is property of JORC Industrial without whose permission it may NOT be copied, shown or handed to a third party or otherwise used and it is to be returned promptly upon request to JORC Industrial.



| | | | | | |
|--|------|------------|---|-----------|----------|
| | | |  | | |
| | NAME | DATE | | | |
| DRAWN | FK | 13-10-2016 | EAD TIMER ARTIKEL NUMBER: | | |
| CHECKED | | | | | |
| JORC Industrial LLC 1146 River Road New Castle, DE 19720 USA National Tel: 302 395 0310 Fax: 302 395 0312 International Tel: +1 302 395 0310 Fax: +1 302 395 0312 | | | SIZE A4 | Material: | REV A |
| | | | ALL dimensions are in inches unless otherwise stated | | |